

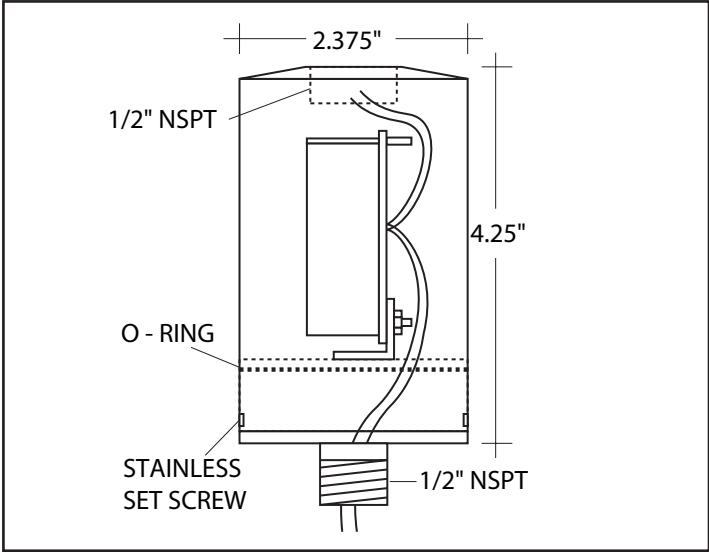
ACCESSORIES

TRH

Cast bronze Transformer Housing supplied with 75 watt transformer allows use of low-voltage fixtures with locations already wired for line-voltage.

Fixture stem threads completely into top of housing. Silicone is needed for a proper seal.

Housing / fixture rotates around bronze plug with O-ring. Stainless set screws ensure fixed position.

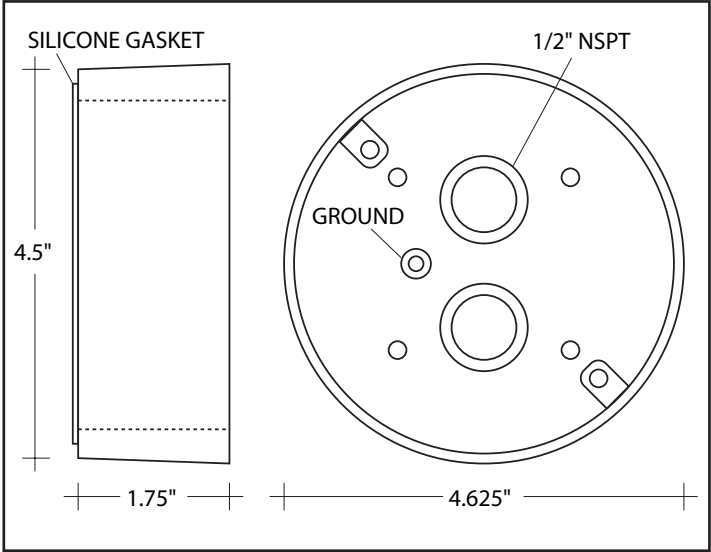


SMB

Cast bronze Surface Mount Box accepts bronze canopy plate from Seashore's wall-mounted architectural fixtures.

Room for two 75 watt electronic transformers (specify transformers separately).

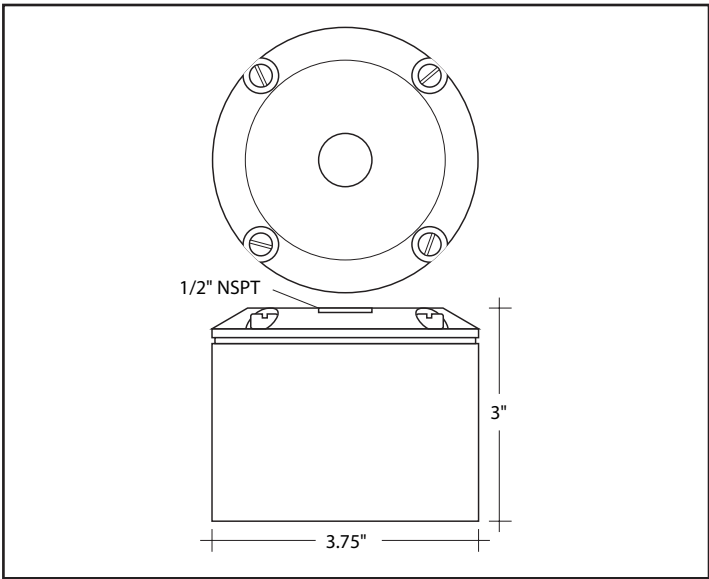
Two 1/2 inch NSPT conduit openings. Four 3/16 inch thru holes at 2.75 inch on center for mounting.



JB

Cast bronze Junction Box has room for 75 watt transformer and needed splicing. (2) 3/4 inch holes on bottom are standard.

JBSM - (2) 3/4 inch side holes for conduit instead of bottom.



TMJB

Cast bronze Tree Mount Junction Box has room for 75 watt transformer (specify transformer separately). 1/2 inch female fitting on bottom for conduit entry.

Stainless steel strap has standard 48 inch length. Other lengths available.

