

MODEL # L-004A

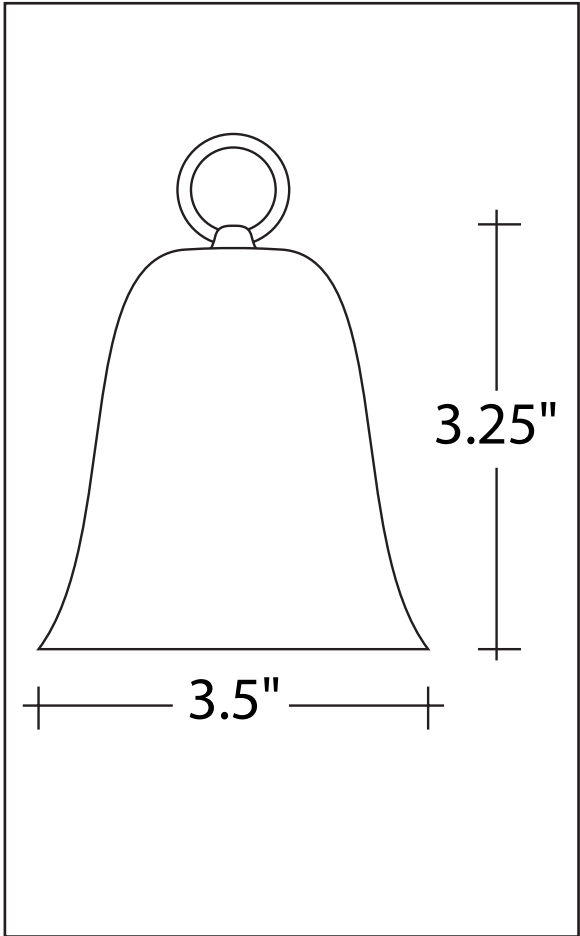
Construction: All brass components.

Mounting: Fixture hangs by its 36" lead wire. Splicing should be done within a junction box (not included).

Finish: Unfinished. Fixture will weather to a natural patina finish.

Voltage: 12 volts.

Lamp: #S8-18W (standard) 18 watt S-8 incandescent
 #S8-13W 13 watt S-8 incandescent
 #S8-26W 26 watt S-8 incandescent



Horizontal footcandles at distance outward from fixture

Lamp:	0'	1'	2'	3'	4'	5'	6'	7'	8'
#S8-18W	1.7	1.8	1.8	1.6	1.5	1.4	1.3	1.1	.9
#S8-13W	1.5	1.6	1.6	1.5	1.4	1.3	1.2	1.0	.8
#S8-26W	2.4	2.5	2.5	2.3	2.2	2.0	1.9	1.6	1.3

Ordering Example

L-004 — S8-18W
 Fixture Model Lamp Type

