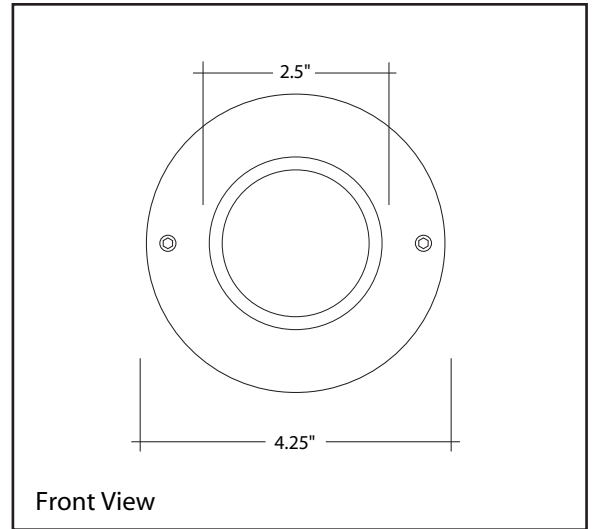
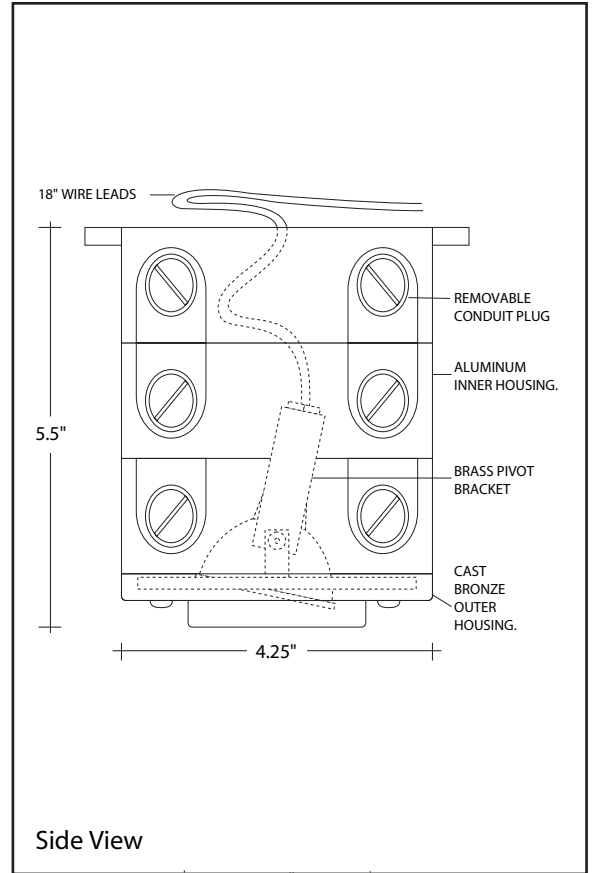


# MODEL # L-012-A

- Construction:** Cast bronze outer housing. Machined brass inner housing and components.
- Lens:** CL—tempered glass, clear (standard)  
FR—tempered glass, frosted  
RT—tempered glass, rectilinear spread
- Mounting:** Recessed mounting. Visible fixture front, mounting disc and lamp rotates 360 degrees. Lamp gimble bracket allows angling up to 25 degrees from vertical..
- Finish:** Unfinished. Fixture will weather to a natural patina finish.
- Accessory:** HL-1 Honeycomb louver.
- Voltage:** 12 volts.
- Lamp:** MR-16 bi-pin halogen, 50 watt maximum

JR-10	10 watt medium	(24 degrees)
ESX	20 watt spot	(12 degrees)
BBF	20 watt medium	(24 degrees)
BAB	20 watt flood	(36 degrees)
BAB/60	20 watt superwide	(60 degrees)
FMT	35 watt spot	(12 degrees)
FMV	35 watt medium	(24 degrees)
FMW	35 watt flood	(36 degrees)
FMW/60	35 watt superwide	(60 degrees)
EXT	50 watt spot	(12 degrees)
EXZ	50 watt medium	(24 degrees)
EXN	50 watt flood	(36 degrees)
FNV	50 watt superwide	(60 degrees)

See separate MR-16 lamp sheet for data.



## Ordering Example

L - 0 1 2 - A — C L — B A B — H L - 1  
 Fixture Model      Lens Type      Lamp Type      Accessory