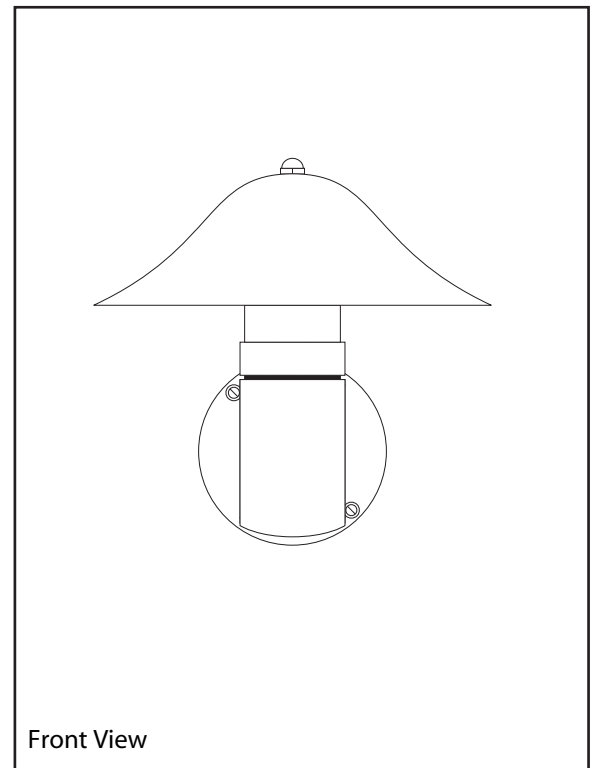
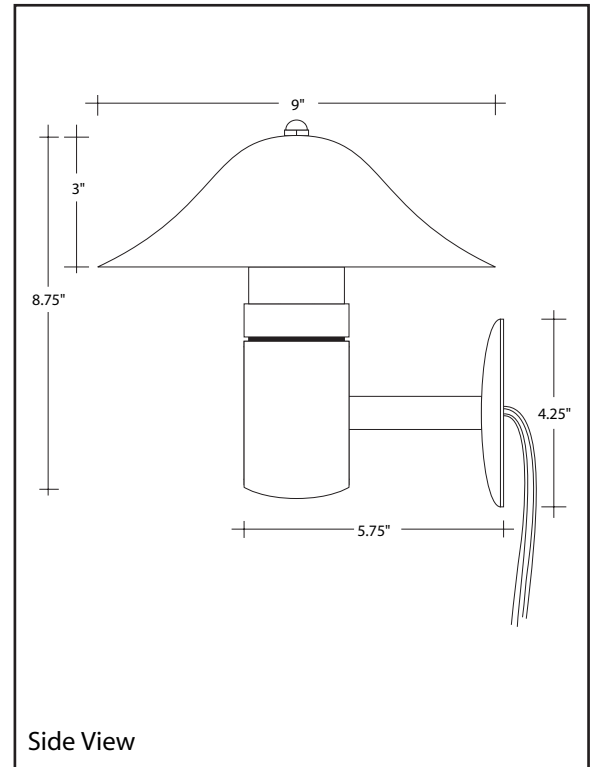


MODEL # L-014-R3

- Construction:** Copper shade, all brass components, 1/8" thick brass housing.
- Lens:** Tempered, round borosilicate (frosted).
- Mounting:** Fixture plate mounts onto recessed standard 4" round bell-type J-box with hole spacing at 3 1/2" on center (by others).
- Finish:** Unfinished. Fixture will weather to a natural patina finish.
- Voltage:** 12 volts. Remote transformer required.
See Electronic Transformer specification sheet.
- Lamp:**
- | | |
|--------|-------------------------------------|
| #20W-H | 20 watt G6.35 bi-pin halogen |
| #35W-H | 35 watt G6.35 bi-pin halogen (max.) |



Ordering Example

L - 0 1 4 - R 3 — 2 0 W - H
 Fixture Model Lamp Type

