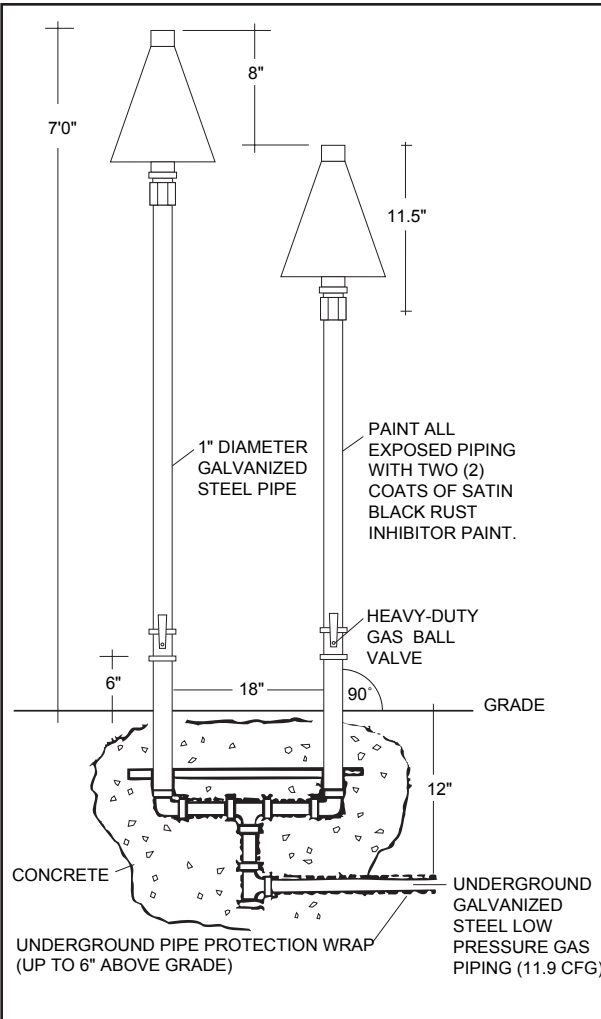




# MODEL TK-1-N / TK-1-P



## CONSTRUCTION

Cone/Base: Spun copper, 18 ga. (.043" thickness).

## GAS USAGE

**TK-1-N** (Natural Gas). Uses 23,404 BTUs per hour at a 7" water column.

**TK-1-P** (Propane Gas). Uses 18,585 BTUs per hour at an 11" water column.

## INSTALLATION

Adapter: 1" brass adapter uses standard female pipe threads for connection to a 1" male threaded pipe (NPT).

Valve: 1" brass shut-off valve is included.

## LISTING

CSA/AGA design certified (CSA certification # 190031)  
\*always check with local codes prior to installation



# MODEL TK-1-K

## CONSTRUCTION

Copper and brass, seamless cone-shaped design.

## FUEL

"Tiki Torch" fuel, kerosene, or lemon-scented Citronella Outdoor Lamp Oil, available at most hardware stores.

## FUEL CAPACITY

45oz., averaging between 10 and 14 hours burn time. The torch is filled from the top by unscrewing the wick holder (with the wick).

## WICK

Braided cotton torch wick, 1" diameter, 12" length. Extra wicks are available at many hardware stores and from Seashore Lighting Inc.

